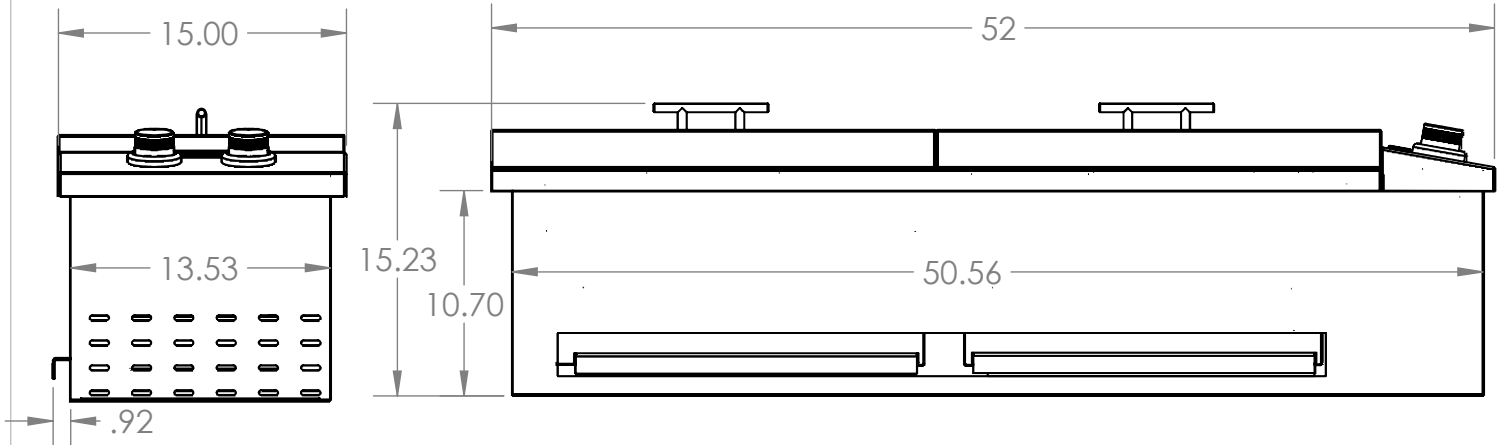


# VIDEL™

U S A

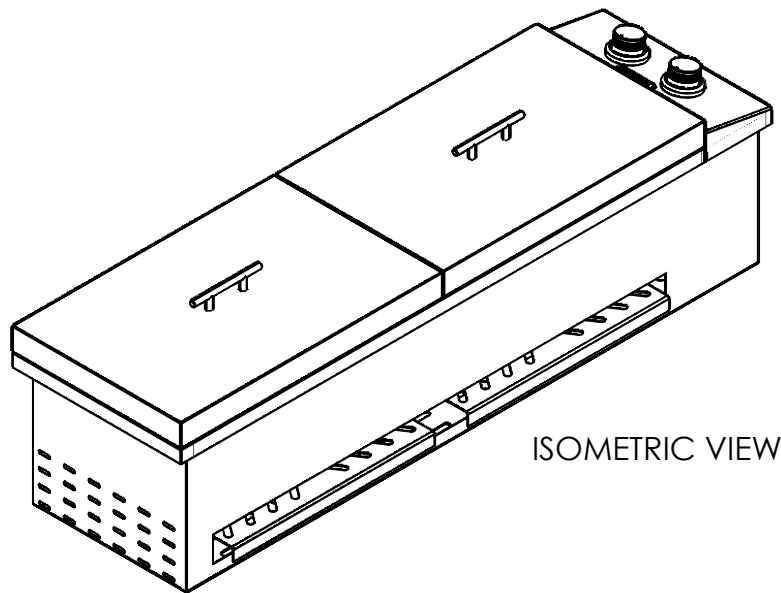
## ANZA SERIES

THE ANZA DOUBLE BURNER



FRONT VIEW

SIDE VIEW



ISOMETRIC VIEW

OVERALL PRODUCT DIMENSIONS				CUTOUT DIMENSIONS FOR ISLAND			
PART NUMBER	HEIGHT	WIDTH	DEPTH	PART NUMBER	HEIGHT	WIDTH	DEPTH
VG-AZA2	11.25"	13.5"	52"	VG-AZA2	11"	13.5"	50.75"

**IMPORTANT NOTICE - VIDEL USA**

This guide is supplemental and does not replace the Owner's Manual.  
Read the manual first to ensure safe installation and operation.