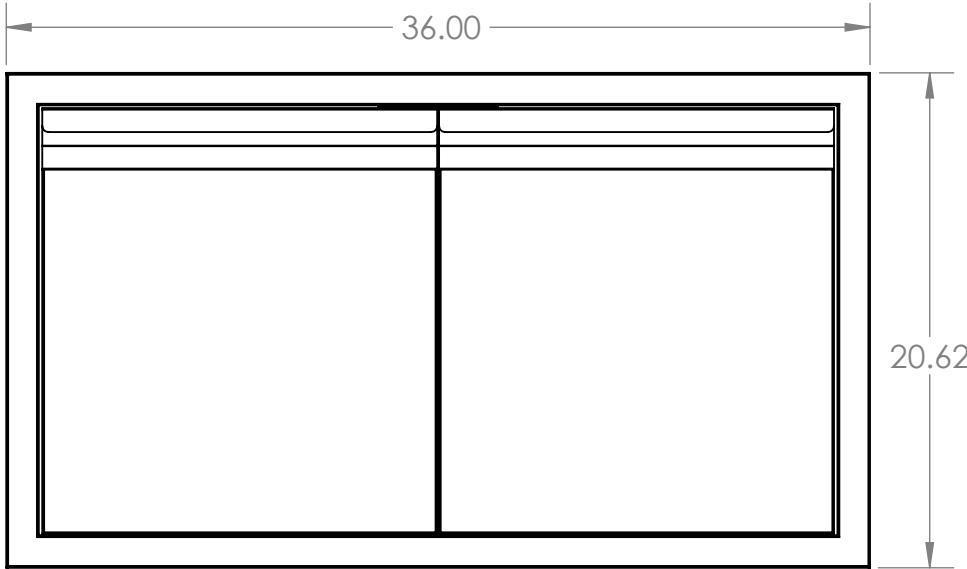


# VIDEL™

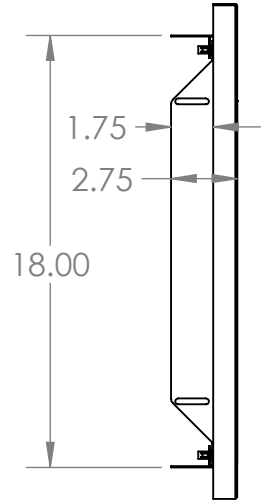
U S A

## CABINETRY SERIES

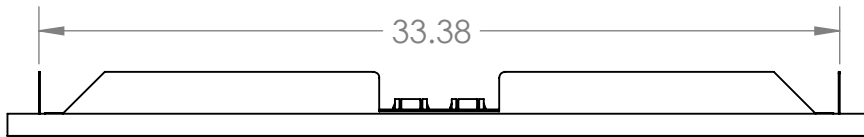
36" DOUBLE DOORS



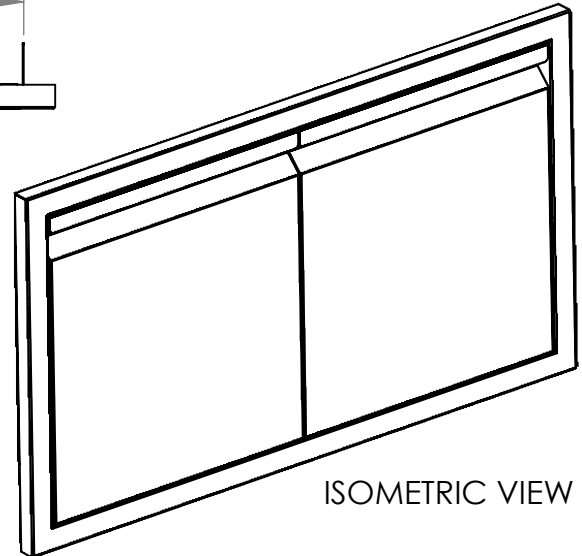
FRONT VIEW



SIDE VIEW



TOP VIEW



ISOMETRIC VIEW

OVERALL PRODUCT DIMENSIONS				CUTOUT DIMENSIONS FOR ISLAND			
PART NUMBER	HEIGHT	WIDTH	DEPTH	PART NUMBER	HEIGHT	WIDTH	DEPTH
VG-36DD	21"	36"	2.75"	VG-36DD	18.25"	33.75"	1.75"

**IMPORTANT NOTICE - VIDEL USA**

This guide is supplemental and does not replace the Owner's Manual.  
Read the manual first to ensure safe installation and operation.